



Intellectual  
Property  
Office

# Certificate of Registration for a UK Design

Design number: 6342550

Grant date: 01 February 2024

Registration date: 26 January 2024

## This is to certify that,

in pursuance of and subject to the provision of Registered Designs Act 1949, the design of which a representation or specimen is attached, had been registered as of the date of registration shown above in the name of

Dr. Vishal Srivastava, Dr. Chanchal Kumar, Udaya Pratap Singh, Ms. Shikha

Verma, Dr. Arun Kumar Gautam

in respect of the application of such design to:

Walking Stick for Visually Impaired with Alerting Unit

International Design Classification:

Version: 14-2023

Class: 03 TRAVEL GOODS, CASES, PARASOLS AND PERSONAL BELONGINGS, NOT ELSEWHERE SPECIFIED

Subclass: 03 UMBRELLAS, PARASOLS, SUNSHADES AND WALKING STICKS

### **Adam Williams**

Comptroller-General of Patents, Designs and Trade Marks

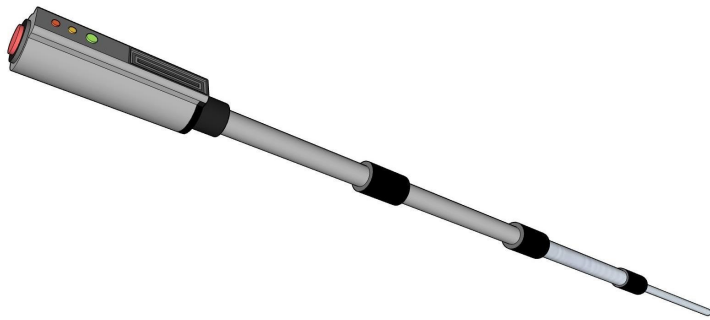
Intellectual Property Office

The attention of the Proprietor(s) is drawn to the important notes overleaf.

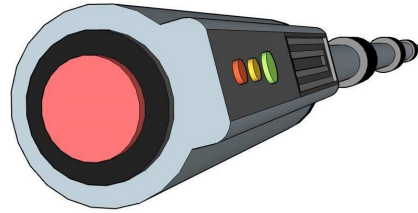


Representation of Designs









Intellectual Property Office is an operating name of the Patent Office

[www.gov.uk/ipo](http://www.gov.uk/ipo)